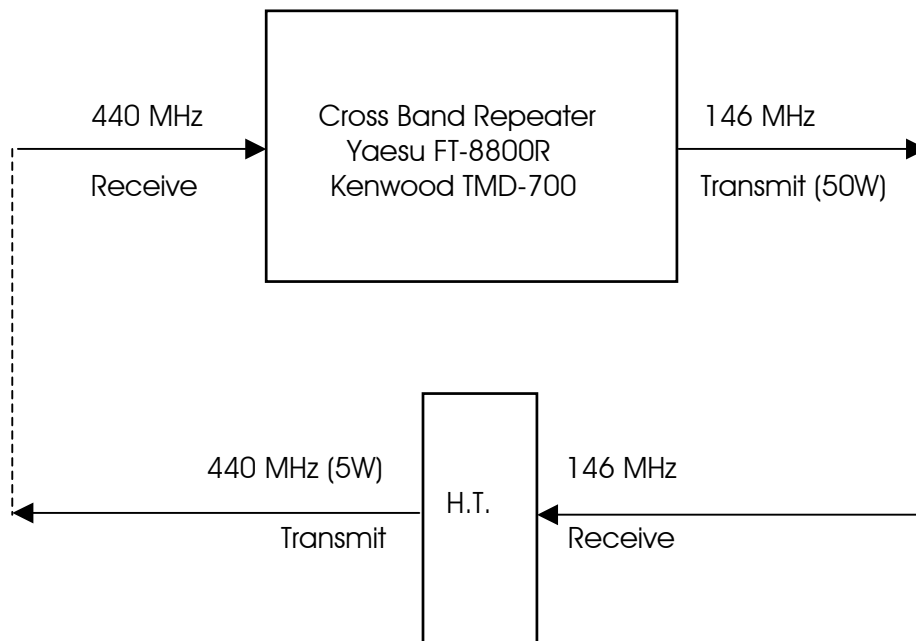
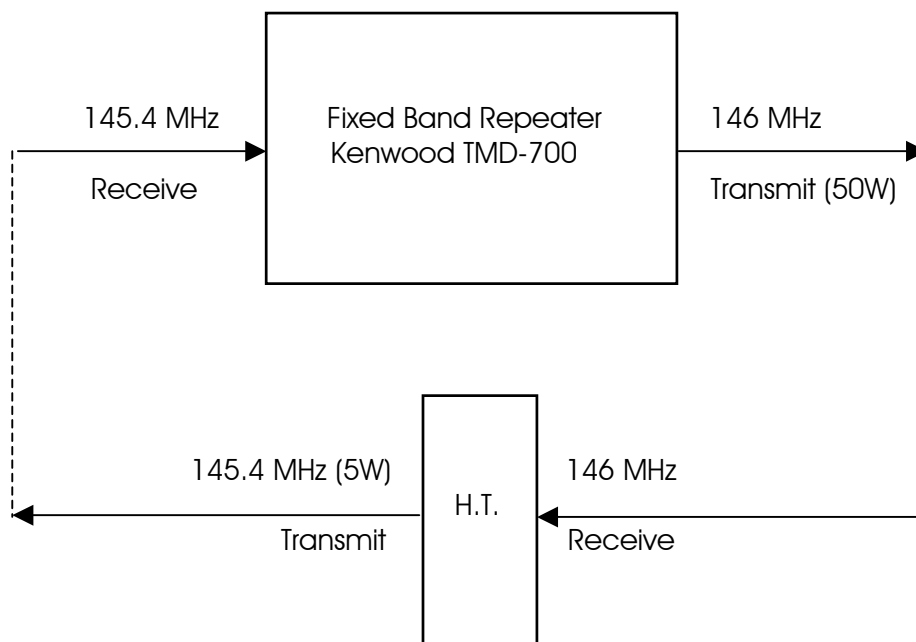


# Cross Band and Fixed Band Repeaters



H.T must be dual band / dual receive so it can transmit on 440 MHz. and receive on 146 MHz.



H.T can be a single band 2 meter transceiver with repeater offsets.